

SELECT
FUNCTIONALITY
INNOVATION
RELIABILITY
QUALITY
SAFETY
STYLE



REDRING
Selectronic
Premier

**INSTANTANEOUS
THERMOSTATIC
ELECTRONIC SHOWER**



SELECTINNOVATION, SELECTSIMPLICITY, SELECTRONIC.

If you're looking for a shower that's the very epitome of control, performance and safety, select Selectronic – from Redring.

The Selectronic Premier range of thermostatic showers gives you the best of both worlds. On the one hand, with its unique microprocessor control technology and array of advanced features, Selectronic represents the very latest in showering innovation. Truly a shower ahead of its time.

On the other hand, Selectronic has been designed to make showering as comfortable and straightforward as possible. A whole range of ingenious features has been incorporated to help make turning on and operating Selectronic Premier simplicity itself.

There's the unique user-friendly remote control and safety temperature lock, for instance, while the shower unit itself features a large one touch, easy-to-press button operation with tactile button coding, giving you instant control at your fingertips. You'll also find a conveniently large LED readout with clear print for improved visibility and legibility.

Stylish and good looking, Selectronic is also available in a number of different versions, several of which are ideal for family use and care applications.







SELECT SAFETY, SELECT CONVENIENCE, SELECTRONIC.

Selectronic has been designed with your safety and convenience in mind.

In fact, a whole host of advanced features combine to make Selectronic Premier one of the safest showers you'll ever have the pleasure to step into.

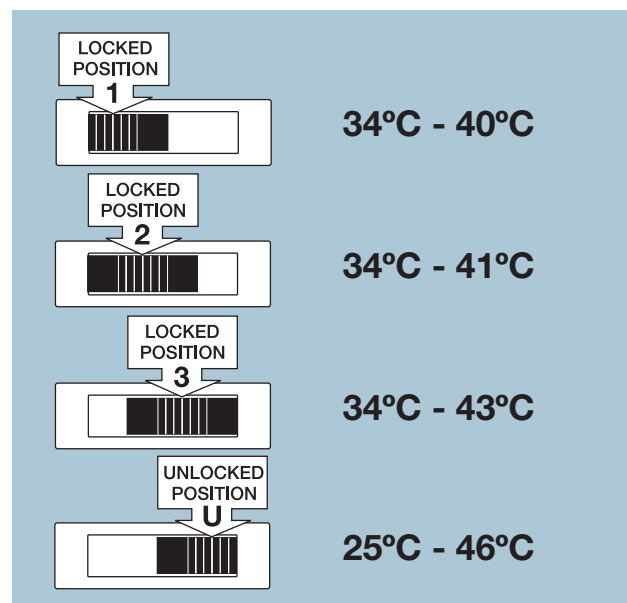
For instance, the Selectronic Premier range of showers is pre-programmed to provide hot water at a constant and safe temperature. An ingenious lock mode, with three optional settings, means the temperature is capped at 40°C, 41°C or 43°C respectively. So the chances of accidental temperature increases are completely eliminated. Alternatively, the lock mode can be set to the 'unlocked' position, allowing the water temperature to be adjusted to a maximum of 46°C. As such, it's the perfect shower for families, especially those with young children. It's also ideal for the elderly and people who are less able.

What's more, Selectronic Premier doesn't just look like a safe shower; it sounds like one too. That's because Selectronic is one of the very few showers to offer audible feedback response to commands, thereby making the shower ideal for the blind or partially sighted.

The Selectronic Premier Plus Remote package includes a safe and convenient START/STOP wireless remote control, which can be used within 10m of the shower. It comes complete with a neat wall mounted docking station, making it easily accessible to operate. Whether hand-held or wall mounted, the remote control enables the shower to be operated from outside the shower enclosure. Once turned on, the shower will give out an audible signal when the shower is at the right temperature for the user to step in. Sleek and sophisticated, this remote control is the natural choice and perfect partner for modern living with its discreet and minimalist styling.



Templock positions



SELECTECO WATER-SAVE, SELECTECO POWER-SAVE, SELECTRONIC.

Not only is Selectronic Premier incredibly easy to use, it's ever so easy on the pocket and the environment, too.

That's because Selectronic incorporates features such as the ingenious **Eco Water-Save** to automatically calculate and adjust the optimum flow rate, taking into account the incoming water temperature and restricting the flow to 6 litres per minute. Unique to Selectronic, **Eco Water-Save** ensures the shower conforms to the 'Sustainable Home' water consumption requirements per person for showering.

In addition, the **Eco Power-Save** feature automatically adjusts the power of the heating and elements and the flow of water to achieve the desired water temperature.

Together, these advanced features help to bring savings in both water and power.



PLEASE NOTE! The Selectronic Premier is factory set with 'DIP Switch' set for Eco showering.



DIP 1: This is used to select "**Eco Power-Save**".

Fixed Flow

With the 'DIP Switch' pushed to the left the shower will save power. As the temperature is reduced, the shower will use less power (Eco Power ON).

Maximise Flow

When the 'DIP Switch' is pushed to the right the shower will use maximum power at all temperature settings (Eco Power OFF).

DIP 2: Preset Start-up

With the 'DIP Switch' pushed to the left the shower will start up at a preset temperature every time it is used.

Previous Setting

When the 'DIP Switch' is pushed to the right the shower will start up at the same temperature as the last time the shower was used. E.g. If the shower was set to Digit 4 (39°C) when it was switched off, then it will start up at Digit 4 the next time it is used.

DIP 3: This is used to select "**Eco Water-Save**".

Flow Limited to 6 litres/minute max

When the 'DIP Switch' is pushed to the left the shower will prevent high water flow rates. The shower will not supply water at a flow rate greater than 6 litres/minute (**Eco Water-Save ON**). Temperature unaffected. This selection meets the 'Sustainable Home' water consumption requirement per person for showering.

Flow Limited to 9 litres/minute max

When the 'DIP Switch' is pushed to the right the shower does not restrict the flow rate. The shower is capable of supplying water at flow rate greater than 6 litres/minute (**Eco Water-Save OFF**).



SELECTCHOICE, SELECTSTYLE, SELECTRONIC.

With Selectronic Premier, choice and flexibility come built in.

- Fully thermostatic operation – maintains temperature within +/- 1°C.
- Unique micro processor control technology is the very epitome of intelligent shower design.
- The shower is pre-programmed to provide automatically hot water at a constant and safe temperature.
- Ingenious temperature 'Lock Mode', with three optional settings – eliminating any increase by accident.*
- Audible feedback response to push-button commands.
- Large one touch, easy-to-press Start/Stop button operation.
- Tactile button coding.
- Clear print control identification for ease of visibility and legibility.
- Large LED temperature readout display.
- **Eco Water-Save** feature that automatically calculates and adjusts the optimum flow rate.*
- **Eco Water-Save** meets the 'Sustainable Home' water consumption requirements per person for showering.
- **Eco Power-Save** feature that automatically adjusts the power of the shower to achieve the selected water temperature.*
- Safety temperature lock with override function.
- Matt antiglare surface finish to control area.
- Phased shutdown – reducing scale and ensuring cool-start for next user.
- Independent temperature adjustment.
- Automatic shutdown after 30 minutes of inactivity.
- Inclusively designed RNIB product endorsement – making it particularly suitable for the blind or partially sighted.
- BEAB and BEAB Care approved providing accreditation for care establishment and less-able users.
- Disabled Discrimination Act Compliance.
- 3 year (UK) manufacturer's guarantee.
- 8.5, 9.5 and 10.8kW models available.
- Curved multi-mode, 6 spray pattern option rub-clean handset
- Cable entries - top, bottom and rear (up to 16mm²)
- Pipe entries - top, bottom and rear (on right hand side)



Selectronic Premier

Includes chrome effect 0.5 metre riser rail with fully adjustable handset holder and soap dish plus a 1.25 metre convoluted shower hose.

SPRAY PATTERN OPTIONS

The handset on a



Excite
(Single Centre Spray)



Fresh
(Single Inner Spray)



Selectronic Premier Plus

Gives you everything the Selectronic Premier does, but with accessories for care applications i.e. colour coded shower head and clamp for visibility, chrome effect 1m riser rail with adjustable handset holder and soap dish and 2m convoluted shower hose, practical shower accessories for the elderly and less-able who prefer to be seated whilst showering.



Selectronic Premier Plus Remote

Gives you everything the Selectronic Premier Plus does, but with the addition of a unique user-friendly, remote wireless ON/OFF control.

All three versions, features six adjustable spray pattern settings. From an invigorating single centre spray to a more gentle and relaxing setting.



Tranquil
(Single Outer Spray)



Sensual
(Outer and Inner Spray)



Ecstasy
(Outer Centre and Inner Spray)



Allure
(Outer and Centre Spray)





“ My Selectronic shower makes me feel reassured, relaxed and in control. ”



“ Selectronic gets my day off to the best possible start. ”



“ Mummy says I'm safe to splash around as much as I want. ”

SELECTREASSURANCE, SELECTPERFORMANCE, SELECTRONIC.

Selectronic doesn't just give you one of the best looking and most advanced showers available.

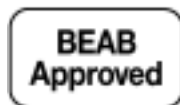
It also gives you absolute peace of mind.

But, don't just take our word for it. Because Redring designers and engineers are not the only ones calling Selectronic Premier one of the safest and most technologically advanced instantaneous showers available today.

Many independent quality organisations and endorsing bodies have also recognised the superb reliability, performance and safety of Selectronic Premier.

For instance, Selectronic was the first shower to achieve the additional safety standards of BEAB CARE, required for care establishments and less-able users, providing accreditation against scalding.

Selectronic Premier also has RNIB product endorsement, making it particularly suitable for the blind or partially sighted.



SELECT SPECIFICATION, SELECT RELIABILITY, SELECTRONIC.

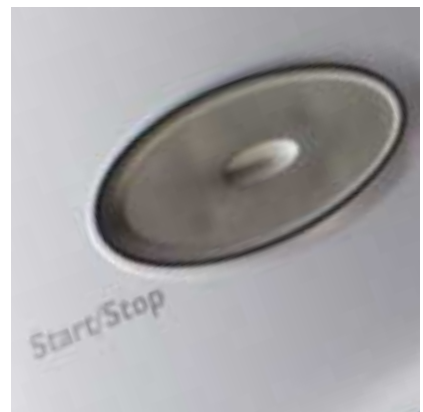
Selectronic Premier is the perfect choice for the contract market and is widely specified for the Social Housing and Care sectors. Product performance, safety and reliability are matched by the ease of installation and flexibility of the fitting options.

Redring recommends that all wiring and installation is undertaken or supervised by a suitably qualified person and suggest the following sequence for fitting purposes:

- mark up and fix the shower to the wall
- connect the pipe-work to the shower unit (entry position options from the top, bottom, side or back of the unit)
- complete the electrical connections
- commission the shower unit

The shower must be plumbed to the cold water rising mains, and electrically have its own separate permanently connected supply from the consumer unit via a double pole isolator switch - either ceiling pull-cord mounted or wall mounted outside of the bathroom.

The following pages provide a step-by-step pictorial general guidance to installation and product selector guide, a comparison for water flow and temperature correlation, guidelines for less-abled bathroom installations and product dimensions for Selectronic Premier and Premier Plus.

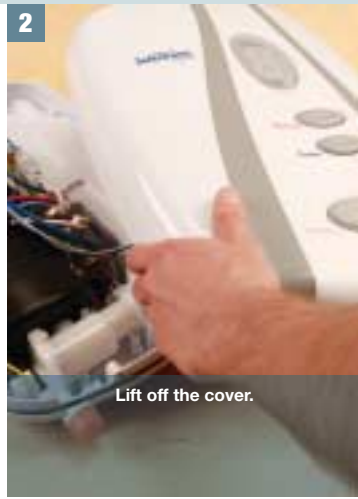




“Easy to use, easy on the eye, easy on the environment - and, last but not means least, ever so easy to install”.



Remove the four cover screws (2 Top and 2 Bottom).



Lift off the cover.



PLEASE NOTE! The shower is factory set at 'Position 1' with the 'TempLock Slider Switch'. Choose from 3 different lockable temp settings plus normal operation position. (See Page 5 for details)



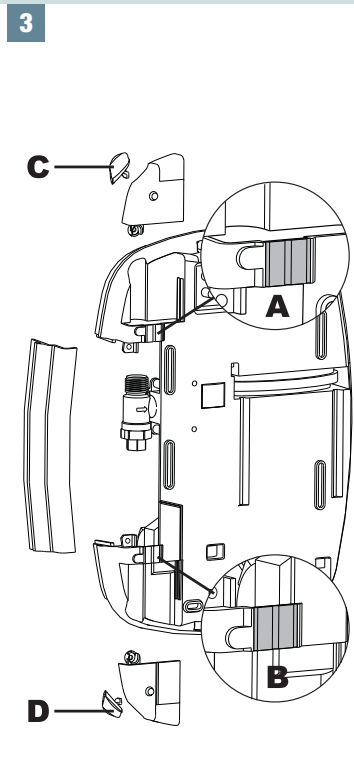
PLEASE NOTE! The shower is factory set with the 'DIP Switch' set for Eco performance – consult user should any other options be preferred. (See Page 6 for details)



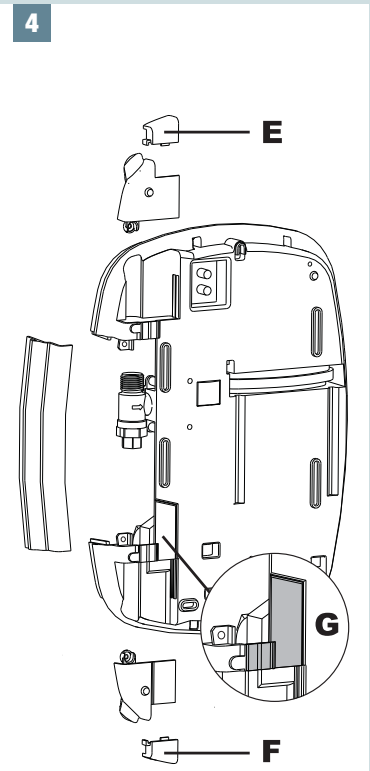
Choose a flat piece of wall to avoid the possibility of distorting the backplate and making the front cover a poor fit.



Hold the shower vertically against the wall and mark the top hole first.



Plumbing

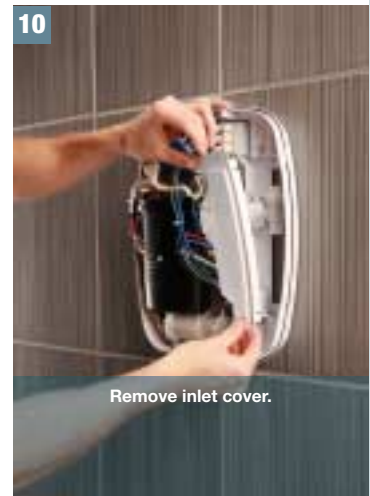


Electrical

Having determined the direction of the inlet water mains supply and cable approach for the installation (Top, Bottom, or Rear or any combination), it is necessary to remove the appropriate section inserts. Detailed guidance is given in the Fitting Instructions.



Drill the hole to take the rawl plug provided. Put the top screw in first leaving it proud by 5mm approximately. The shower can now be hung on this screw.



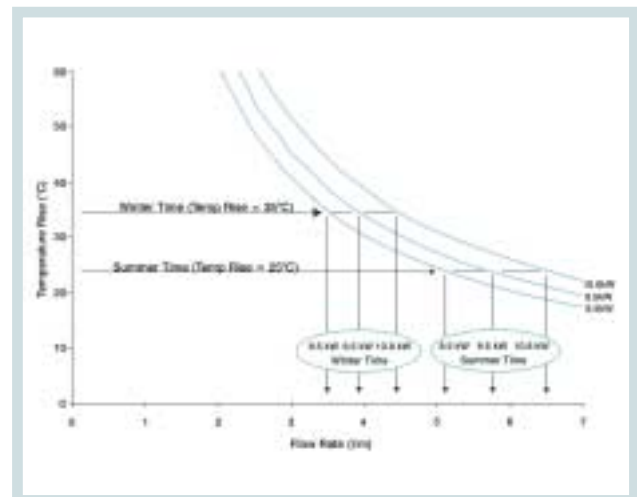
Remove inlet cover.

Water flow and temperature graph.

The graph shows the relationship between hot water flow and temperature rise obtainable from an instant electric shower.

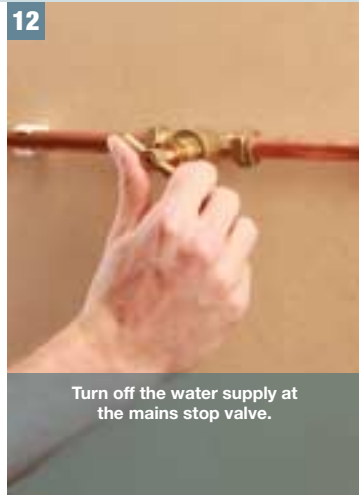
The different power loadings (available in the range) expressed in kilowatts, are shown as curves on the graph.

The incoming mains water temperature into your property can vary on average from 5°C in winter to 15°C in summer. The graph shows a typical winter and summertime condition. In winter the 8.5kW shower will give you a flow rate of about 3.5 litres per minute, while in summer it will give approximately 5.1 litres per minute.

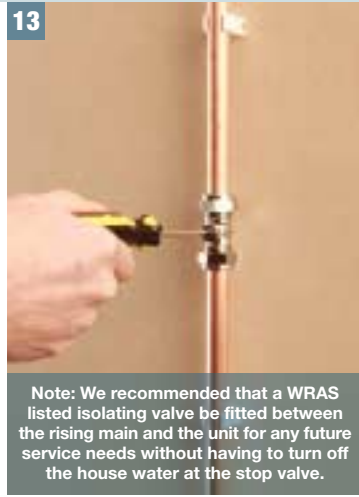




11 Remove side access trimplate section complete with seal.



12 Turn off the water supply at the mains stop valve.



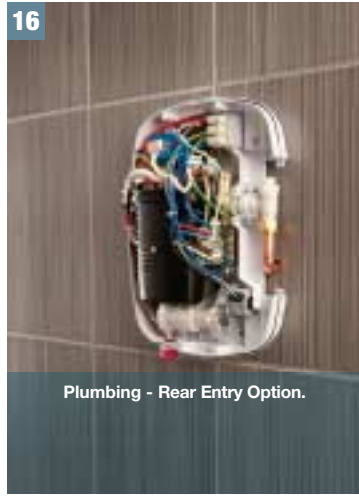
13 Note: We recommend that a WRAS listed isolating valve be fitted between the rising main and the unit for any future service needs without having to turn off the house water at the stop valve.



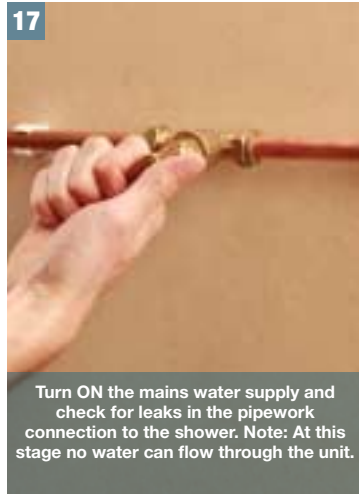
14 Connect the mains water supply to the Inlet of the shower via 15mm copper, stainless steel or plastic pipe using a 15mm compression fitting. Plumbing - Bottom Entry Option.



15 The Inlet fitting is designed to rotate through 180° to allow for either Top or Bottom/Rear entry fitting. Plumbing - Top Entry Option.



16 Plumbing - Rear Entry Option.



17 Turn ON the mains water supply and check for leaks in the pipework connection to the shower. Note: At this stage no water can flow through the unit.



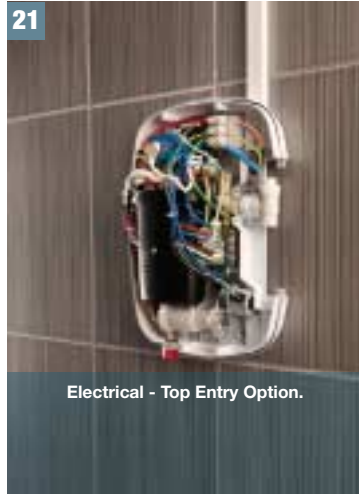
18 Turn OFF the electricity at the Mains Power Board.



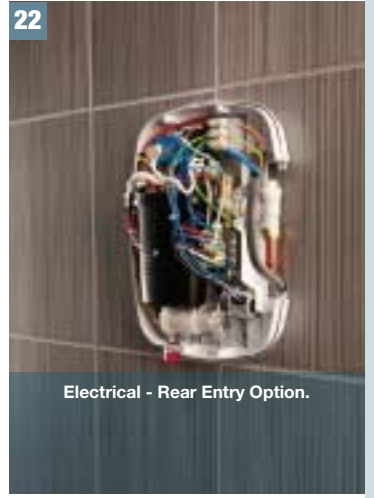
19 A means for disconnection in all poles must be incorporated in the fixed wiring in accordance with the wiring rules. Either wall mounted or ceiling switches.



20 Electrical - Bottom Entry Option.

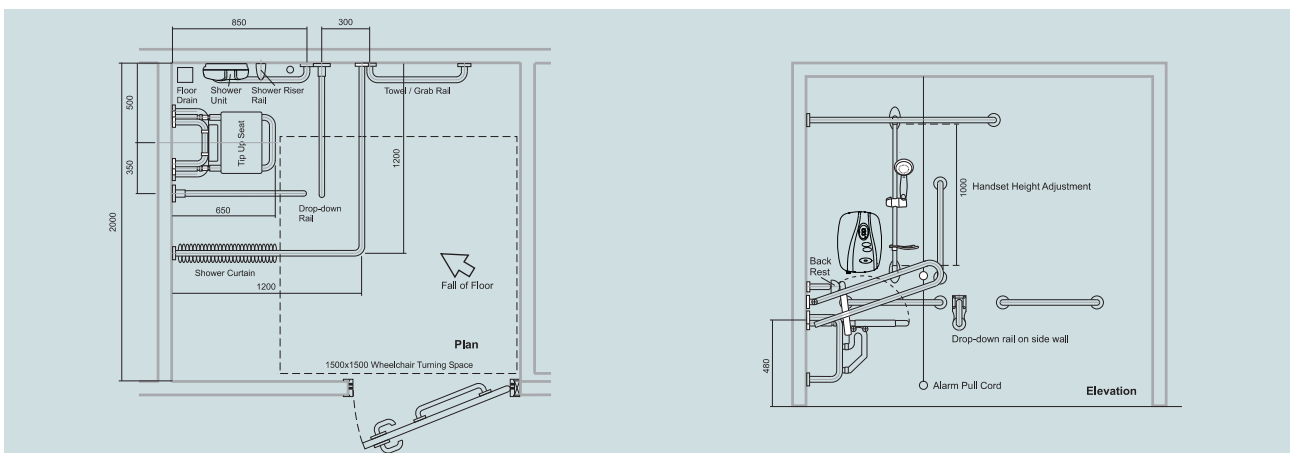


21 Electrical - Top Entry Option.



22 Electrical - Rear Entry Option.

Typical guideline dimensions used for less-abled bathroom installations.



All measurements shown are in millimetres. Drawing sizes are not to scale. Shower model shown is a Selectronic Premier Plus.

23



Ensure that all the retaining screws are VERY tight and that no cable insulation is trapped under the screws. Replace the inlet cover and side access trimplate section complete with seal.

24



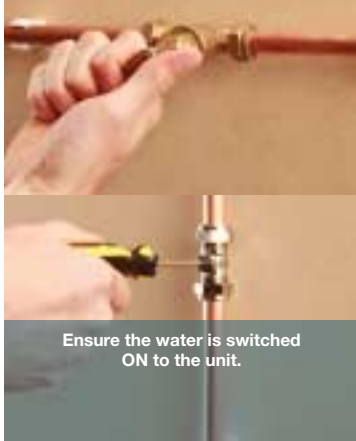
IMPORTANT Connect flying lead from PCB to rear of the front cover.

25



Replace the front cover and fasten in position with four screws.

26



Ensure the water is switched ON to the unit.

27



Ensure the electricity is switched ON to the unit at both the Mains Power Board and isolating switch.

28



29

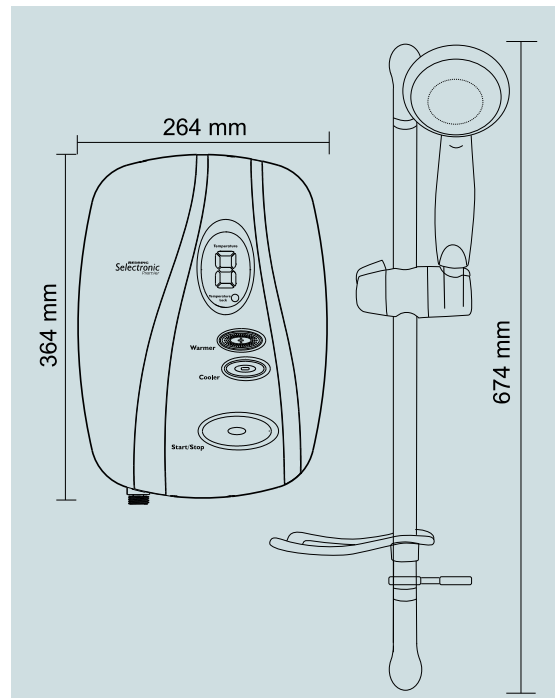


Press and hold the Cooler button until confirmed with one audible short bleep. The digital display will illuminate with a capital "C".

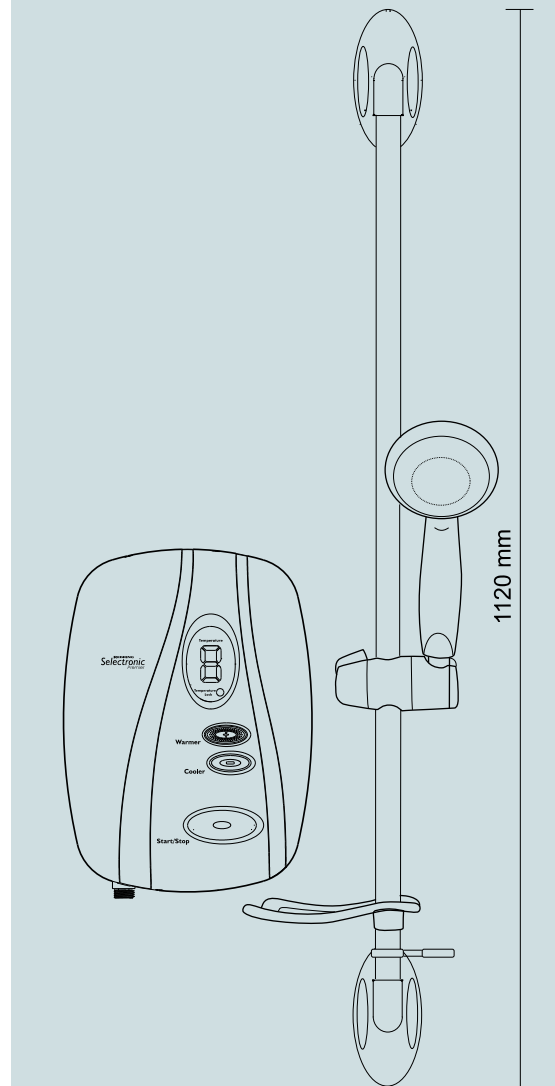
30



Allow the unit to fill. Wait for water to come out of handset. Press Stop/Start button turning the shower OFF (Confirm with 3 audible short bleeps).



Selectronic Premier (with 1.25m hose)



Selectronic Premier Plus (with 2m hose)

“The Selectronic Premier range of showers demonstrates the Redring commitment to giving you the best quality and most technologically advanced thermostatic showers on the market. A shower that’s perfect for the home, the family or the care application”.

PRODUCT SELECTOR

Product Reference	Short Code	Catalogue Number	Max Heat Setting	kW Loading @ 230-240V	Recommended Cable Size	Recommended Fuse Rating
Selectronic Premier-Std 8.5	SELP85S	53677501	8.5kW	7.8-8.5	6-10mm ²	35 amps
Selectronic Premier-Std 9.5	SELP95S	53678501	9.5kW	8.7-9.5	6-10mm ²	40 amps
Selectronic Premier-Std 10.8	SELP108S	53679501	10.8kW	9.9-10.8	10-16mm ²	45 amps
Selectronic Premier-Plus 8.5	SELP85P	53677505	8.5kW	7.8-8.5	6-10mm ²	35 amps
Selectronic Premier-Plus 9.5	SELP95P	53678505	9.5kW	8.7-9.5	6-10mm ²	40 amps
Selectronic Premier-Plus 10.8	SELP108P	53679505	10.8kW	9.9-10.8	10-16mm ²	45 amps
Selectronic Premier-Remote 8.5	SELP85PR	53677510	8.5kW	7.8-8.5	6-10mm ²	35 amps
Selectronic Premier-Remote 9.5	SELP95PR	53678510	9.5kW	8.7-9.5	6-10mm ²	40 amps
Selectronic Premier-Remote 10.8	SELP108PR	53679510	10.8kW	9.9-10.8	10-16mm ²	45 amps

- Operating water pressure 0.7-10 bar (10-145 psi) • Cable entries – top, bottom and rear (up to 16mm²)
- Pipe entries – top, bottom and back (on right hand side) • Water connection – 15mm compression fitting, including nut and olive supplied • Fixing pack supplied • Fully temperature stabilised.

SELECTSUPPORT, SELECTEXCELLENCE, SELECTRONIC.

UK Sales

Sales Hotline: 0844 372 7750

Sales Fax: 0844 372 7760

Technical Services

Techline: 0844 372 7766

Techfax: 0844 372 7767

International Sales

Redring is a great British brand in every sense of the word. It is also a world leader in HOT water electric heating in over twenty countries worldwide. Redring has achieved this by scrutinising global market requirements and ensuring products are developed to meet these needs, as well as developing products for specific countries and regions, taking into consideration approvals, electrical supply and climate.

For further details call:

Sales Hotline: +44 (0) 1733 456789

Sales Fax: +44 (0) 1733 456727

applied energy

Applied Energy Products Limited

Morley Way

Peterborough

PE2 9JJ

T: +44 (0) 844 372 7761

F: +44 (0) 844 372 7762

E: info@redring.co.uk

www.redring.co.uk

www.youtube.com/user/redringsolutions

Redring is a registered trademark of Applied Energy Products Limited.

The Redring Selectronic Premier products, unless otherwise stated, are covered by a full parts and labour guarantee for 3 years from date of purchase, so should the product become faulty within the guarantee period, it will be replaced with a new product or repaired by our service engineers, totally free of charge.

Redring reserves the right to alter product specification or appearance without prior notice. All finishes in the brochure are as accurate as printing processes allow.

09/2010 Applied Energy Products. All rights reserved.

R048 September 2010.



TOTAL REASHOWERANCE